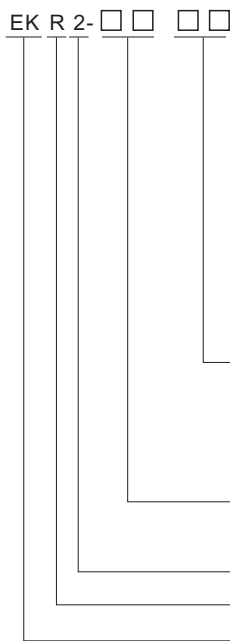




Technical Data

Description	Electric value	AC50/60Hz, 690V, 0.1A~93A
	Tripping class	10A
	Mounting version	Plug-in: Available for EKR2-13,23,33

Type Designation



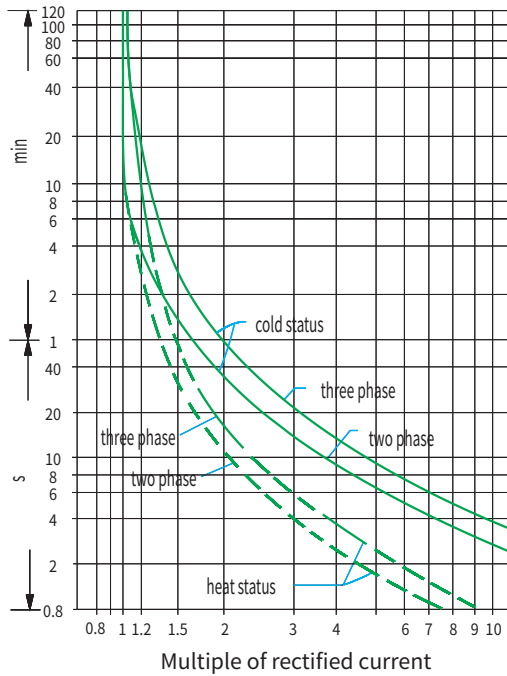
- Code of current rating
Basic specification, expressed with the rated operational current (380V/400V, AC3)
- Frame Size
- Design sequence Number
- Thermal Overload Relay
- Company code

Feature	3-phase bimetal
	Continuously readjustable current settings
	Temperature compensation
	Tripping indicator
	Test button
	Stop button
	Manual and automatic reset button
Electrically separated 1N/O plus 1N/C contact	

Technical Specification

Protection property	Item	Series No.	I/In	Operating time Tp	Test condition
Overload protection	1		1.05	>2 h	Start from cold status
	2		1.2	≤2h	Start from heat status, right after item No.1
	3		1.5	≤2min	Start from heat status, right after item No.1
	4		7.2	2s<Tp≤10s	Start from cold status
Phase failure protection	5	Any two phases	Another phases	>2 h	Start from cold status
		1.0	0.9		
	6	1.15	0	≤2 h	Start from heat status, right after item No.5

Curve



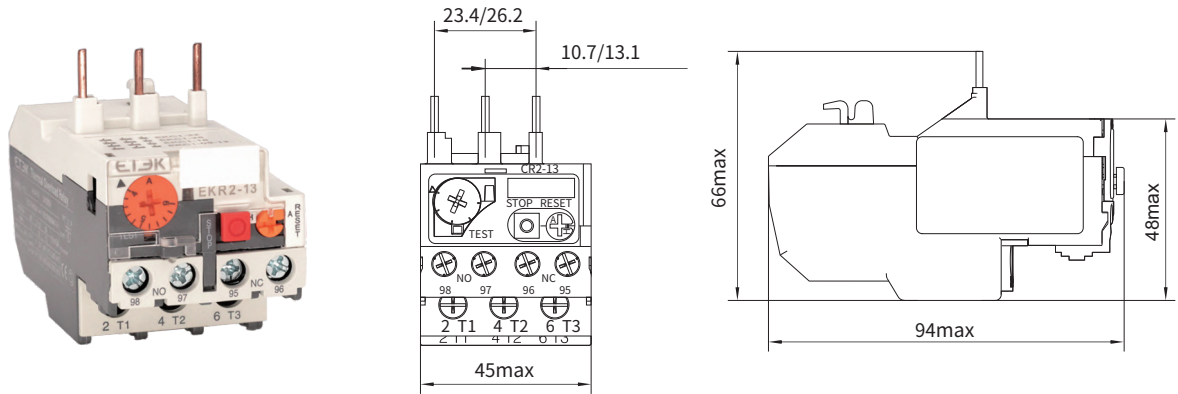
Main Technical Data	Phase failure protection function	Yes
	Automatic & manual reset	Yes
	Temperature compensation	Yes
	Tripping indicator	Yes
	Test & stop pushbutton	Yes
Mounting mode	Plug-in	Yes
	Independent	Yes
	No. of contacts	1N/O+1N/C
Auxiliary contacts	Rated current (A) (AC-15 220V)	2.73
	Rated current (A) (AC-15 380V)	1.58
	Rated current (A) (DC-13 220V)	0.2

Assembly with contactor

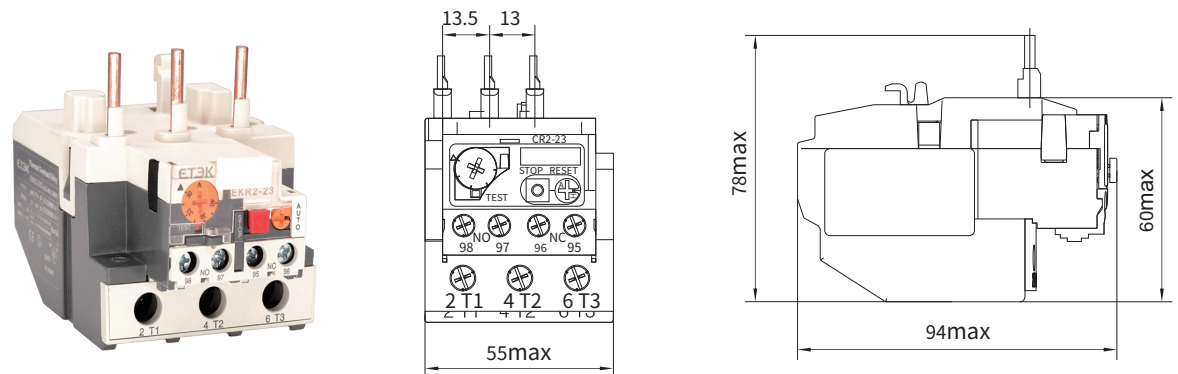
Model of overload relay	Code	Rated current (A)	Recommended fuse type(Recommended RT16)		Contactor Matched
			aM	gG	
EKR2-13	1301	0.1~0.16	0.25	2	EKC1-09 EKC1-12 EKC1-18 EKC1-25 EKC1-32
	1302	0.16~0.25	0.5	2	
	1303	0.25~0.4	1	2	
	1304	0.4~0.63	1	2	
	1305	0.63~1	2	4	
	1306	1~1.6	2	4	
	1307	1.6~2.5	4	6	
	1308	2.5~4	6	10	
	1310	4~6	8	16	
	1312	5.5~8	12	20	
	1314	7~10	12	20	
	1316	9~13	16	25	
	1321	12~18	20	35	
	1322	17~25	25	50	
EKR2-23	2353	23~32	40	63	EKC1-32
	2355	30~40	40	80	
EKR2-33	3353	23~32	40	63	EKC1-40 EKC1-50 EKC1-65 EKC1-80 EKC1-95
	3355	30~40	40	100	
	3357	37~50	63	100	
	3359	48~65	63	100	
	3361	55~70	80	125	
	3363	63~80	80	125	
	3365	80~93	100	160	

Overall and Installation Dimension(mm)

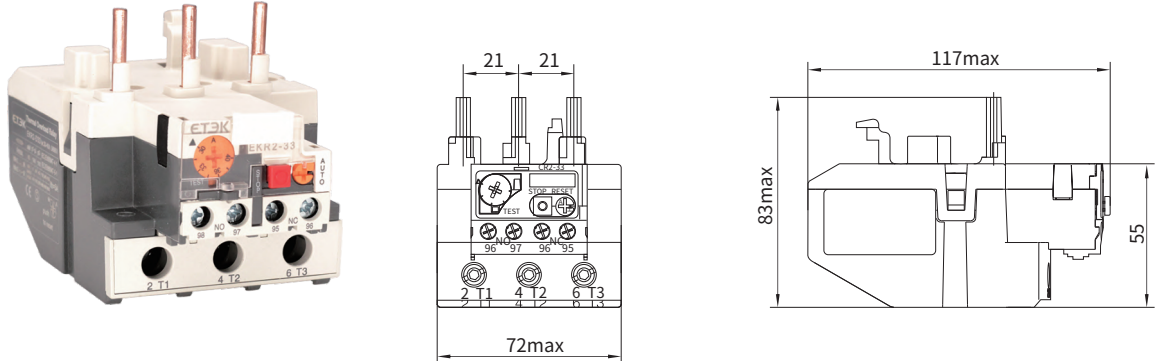
EKR2-13



EKR2-23



EKR2-33



Wiring

Items		EKR2-13	EKR2-23	EKR2-33
Cross section area of conductor mm ²	Main circuit	Single core or stranded wire	1~4	4~10
		Wiring screw	M4	M4
	Auxiliary circuit	Single core or stranded wire	0.5~2.5	0.5~2.5
		Wiring screw	M3.5	M3.5